

This document is intended as a reference guide for installing and using BENDER CMD420 and CMD421 three-phase AC current relays. This document includes installation, setup, and usage instructions. For complete details, including installation, setup, settings, and troubleshooting, refer to the CMD420 / CMD421 user manual, document number TGH1459en. This document is intended as a supplement and not a replacement to the complete user manual.

Only qualified maintenance personnel shall operate or service this equipment. These instructions should not be viewed as sufficient for those who are not otherwise qualified to operate or service this equipment. This document is intended to provide accurate information only. No responsibility is assumed by BENDER for any consequences arising from use of this document.



## Installation

### Mounting

CMD420 / CMD421 series devices may be DIN rail mounted, or screw mounted using the black clips located on the top and bottom of the device. Screw mounting requires an extra black clip (article number B98060008, sold separately).

### Wiring - General

Refer to figure 1 for wiring the CMD420 or CMD421. When using the CMD420, a current transformer with 1 A secondary (x/1 type) is required. For CMD421 devices, a current transformer with a 5 A secondary (x/5 type) is required. Use minimum AWG 24, maximum AWG 12 size wire. Refer to CMD420 / 421 series user manual for complete technical details.

**! DANGER**

**HAZARD OF ELECTRIC SHOCK, EXPLOSION, OR ARC FLASH**

- Disconnect all power before servicing.
- Observe all local, state, and national codes, standards, and regulations.

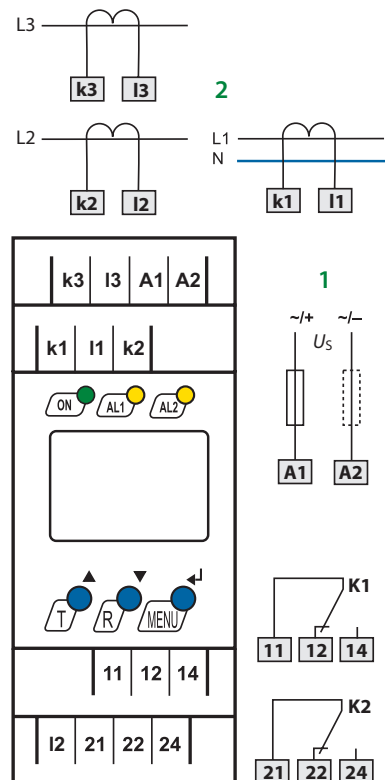


Figure 1 - Common wiring diagram for CMD420 and CMD421

### Wiring - Contacts

Using a normally closed or normally open contact utilizes two factors: wiring out of the proper terminal, and setting the respective contact to normally energized or deenergized operation. Refer to the chart below for relay conditions. For changing the energized state of the contact, refer to "Figure 7 - Contact operation" on the reverse side of this document.

The factory default is normally deenergized operation for relays K1 and K2.

Device Relay Conditions			
Relay Operation Setting	Device Alarm State	K1 STATE	K2 STATE
Normally deenergized mode (N/D) Non-failsafe mode "N/O" in device settings menu	Power ON, normal state (no alarms)	11-12 CLOSED 11-14 OPEN	21-22 CLOSED 21-24 OPEN
	Power OFF	11-12 CLOSED 11-14 OPEN	21-22 CLOSED 21-24 OPEN
	Power ON, alarm state	11-12 OPEN 11-14 CLOSED	21-22 OPEN 21-24 CLOSED
Normally energized mode (N/E) Failsafe mode "N/C" in device settings menu	Power ON, normal state (no alarms)	11-12 OPEN 11-14 CLOSED	21-22 OPEN 21-24 CLOSED
	Power OFF	11-12 CLOSED 11-14 OPEN	21-22 CLOSED 21-24 OPEN
	Power ON, alarm state	11-12 CLOSED 11-14 OPEN	21-22 CLOSED 21-24 OPEN

## Front Panel Display

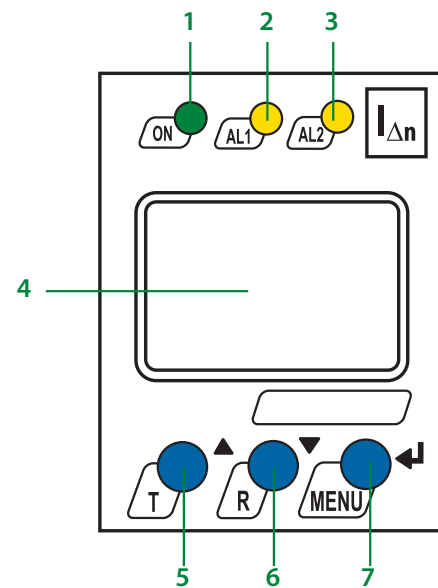
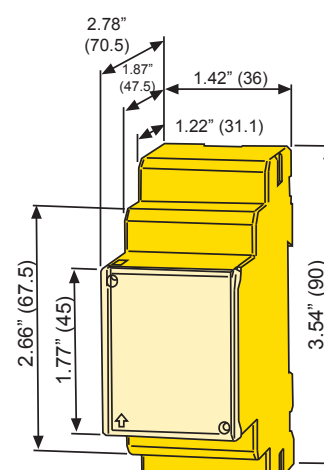


Figure 2 - CMD420 / CMD421 front display

1. LED "ON" (green): Illuminates when power is applied to the device. Flashes when the CT connection alarm is active.
2. LED "AL1" (yellow): Illuminates when the prealarm is activated. Flashes when the CT connection alarm is active.
3. LED "AL2" (yellow): Illuminates when the main alarm is activated. Flashes when the CT connection alarm is active.
4. Backlit LCD display
5. TEST / UP button: Activates self-test / scrolls up inside main menu.
6. RESET / DOWN button: Resets device / scrolls down inside main menu.
7. MENU / ENTER button: Activates main menu / Confirms (momentary push) or goes back a step (held > 1.5 s) inside main menu.

## Dimensions




Dimensions listed in inches (mm).



## Menu Flow Chart for Common Settings

Figure 4 through figure 8 on the reverse side of this document contain flow charts for modifying commonly used features and settings in the device's main menu. Not all available features are listed in this document. For more information, consult the CMD420 / CMD421 user manual.

## Menu Legend

-  DOWN ARROW button < 1.5 s Momentary button push
-  UP ARROW button > 1.5 s Hold button for at least 1.5 s, then release
-  MENU / ENTER button

