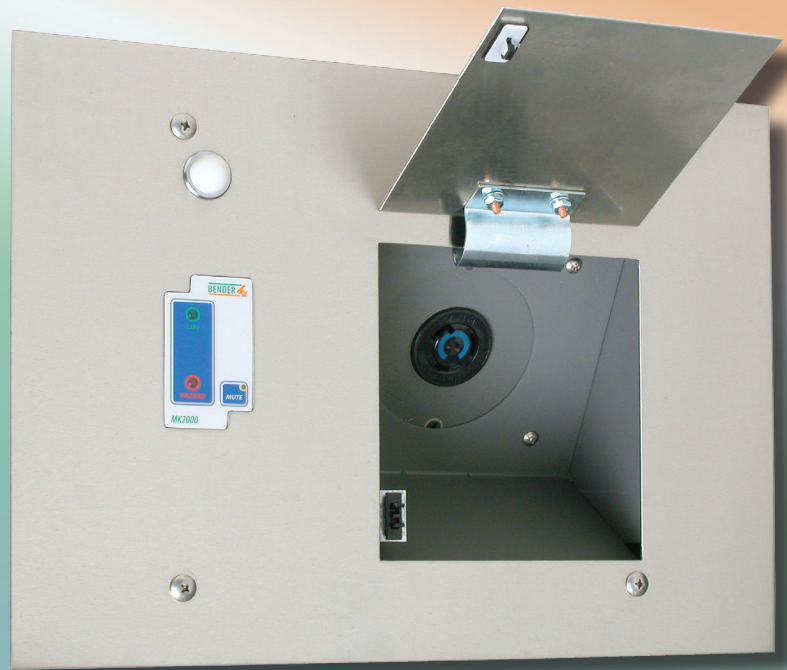


XRM Series

X-Ray / Laser Receptacle Modules

For Use With Bender's Isolated Power Systems



XRM Series



XRM Series

Features

- **Applications:** Modules with flush or surface mounted receptacles for use with x-ray and laser equipment
- **Mounting:** Available for flush- or surface-mounted applications
- **Options:** Available with door contacts, "in-use" lamp, and BENDER line isolation monitor remote indicators

Introduction

BENDER XRM series x-ray/laser receptacle modules provide a convenient source of power for portable x-ray and laser equipment. Designed in strict compliance with UL standards, the XRM modules are a high quality outlet device accessory that is fully compatible with BENDER isolated power panels.

General

Type XRM modules include power receptacle which matches the NEMA plug configuration of the x-ray or laser equipment. In addition, the module may include a remote alarm indicator for the connected line isolation monitor at the isolated power panel. The associated isolated power panel will have a programmable logic controller (PLC) that works in tandem with the module to activate or deactivate the receptacle.

Backbox

For flush mounted applications, the backbox is fabricated from a minimum of 16 GA galvanized steel. Surface mounted enclosures are finished with a coat of hospital ivory baked enamel or equivalent. The appropriately sized backbox is shipped with the XRM interior section.

Front Trim

Manufactured from a minimum of 14GA type 304 stainless steel with a #4 brushed finish, the front trim contains a door with hidden hinges and touch latch that covers the recessed power receptacle. The front trim for flush mounted XRM modules extends 1" on all sides beyond the perimeter of the backbox. For surface mounted XRM modules, the front trim has the same dimensions as the enclosure.

Receptacle

The Type XRM modules can incorporate either an industrial specification or hospital grade receptacle with amperage and voltage as required by the X-Ray/Laser equipment. As an option, BENDER can provide a user selected receptacle with a matching plug.

Option: "IN USE" Lamp

"IN USE" lights indicate system status for systems with multiple receptacles. The light in the off state indicates the receptacle can be used. The on state indicates the receptacle cannot be used. For systems that allow only one receptacle energized at a time, the light will be off on the XRM in use and illuminated on all other modules indicating the system is at capacity.

For systems that allow more than one receptacle to be energized at a time, the lights will be off until all allowable receptacles are in use.

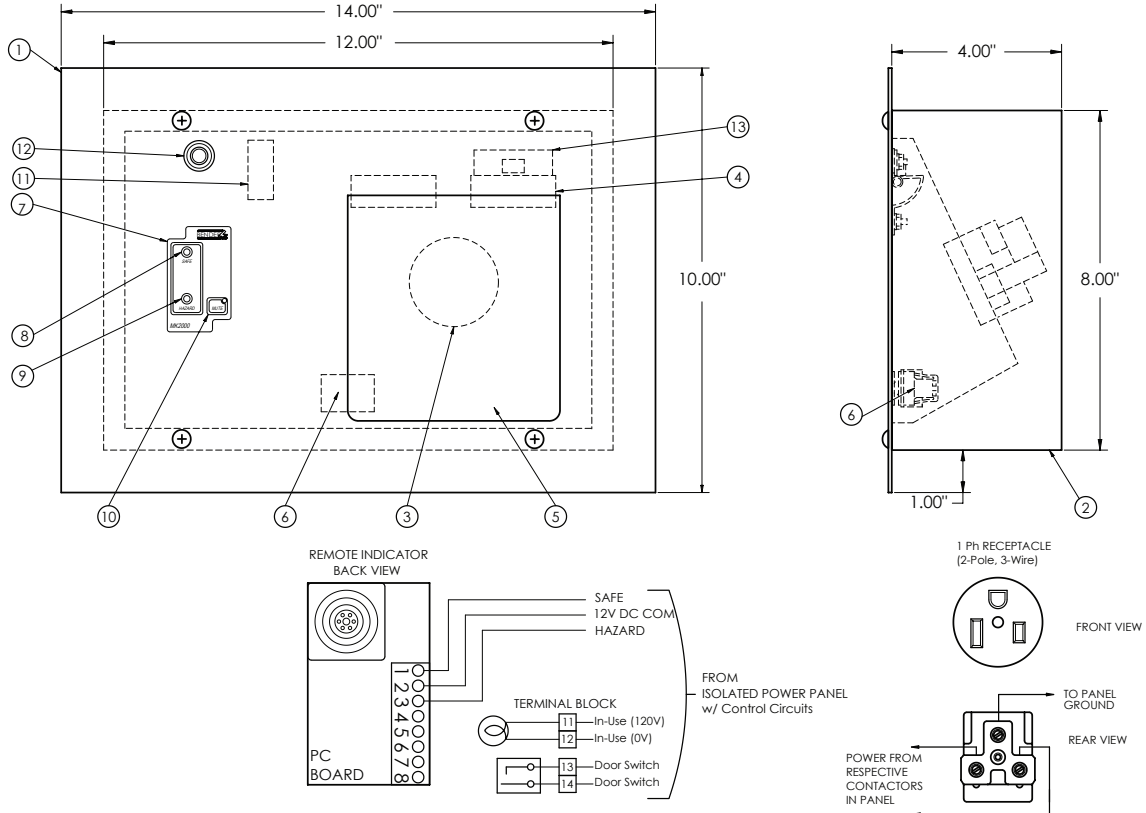
LIM Remote Indicators

The MK2000 series remote indicator duplicates the audible and visual alarm indications of the BENDER LIM2010 line isolation monitor (LIM) installed in the Isolated Power Panel. It is powered by a 12VDC signal from the LIM. There is a green LED which indicates a "SAFE" condition, a red LED which indicates a "HAZARD" condition, and a "MUTE" switch with integral amber LED which indicates that the audible alarm has been placed in "MUTE" mode. Optionally, a system muting function can be provided which causes the LIM at the panel location to also be silenced when the "MUTE" switch is depressed.

The "SAFE" LED remains ON in the normal mode of operation until the Total Hazard Current (THC) exceeds the threshold limit of either 5 mA or 2 mA, depending on the specifications of the connected line isolation monitor. When the alarm condition occurs, the "SAFE" LED goes OFF, the "HAZARD" LED comes ON, and the audible alarm can be heard from a distance of at least 25' from the unit.

Refer to remote indicators datasheet for more information on available options.

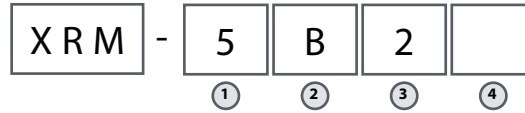
Sample outline: XRM module with MK2000 remote indicator and in-use lamp (example part number: XRM-5B2)



- | | |
|--|--|
| <ul style="list-style-type: none"> 1 - Stainless steel faceplate, 14" x 10" (356 x 254 mm) 2 - Backbox, galvanized steel, 12" x 8" x 4" (305 x 203 x 102 mm) 3 - Receptacle (example shown: NEMA #6-50R) 4 - Concealed hinge 5 - Hinged door 6 - Touch latch 7 - Remote indicator (example shown: MK2000) | <ul style="list-style-type: none"> 8 - Green "SAFE" LED indicator 9 - Red "HAZARD" LED indicator 10 - Mute pushbutton 11 - Terminal block 12 - In-use indicator 13 - Door switch and mounting plate (closed door = open contact) |
|--|--|

Ordering information, step 1: Core components

NOTE: XRM modules are sold in two parts - the front trim assembly and the backbox. Refer to steps 1 and 2 for building the appropriate part numbers.



1 - Receptacle

- 1: Hubbell #IN16494
- 2: NEMA #615R
- 3: NEMA #620R
- 4: NEMA #630R
- 5: NEMA #650R
- 6: NEMA #L615R
- 7: NEMA #L620R
- 8: NEMA #L630R

2 - Remote Indicator

- N: None
- A: MK2000P, w/ test button
- B: MK2000
- C: MK200C, w/ load monitoring
- D: MK2000CP, w/ load monitoring and test button
- E: MK2000CBM, w/ digital display

3 - Limit Type

- 0: None
- 1: Door Contact (Limit Switch)
- 2: Door Contact (Limit Switch) and "In-Use" Lamp

4 - Mounting Type

- [] (nothing, left blank): Flush Mounting
- S: Surface Mounting

Common configurations for step 1

Part number	Description	Ordering No.
XRM-1B2	Hubbell IN16494 60A / 250V receptacle, MK2000 series remote indicator, door switch control with in-use indication	B 5213 01049
XRM-5B2	NEMA 650R, 50A / 250V receptacle, MK2000 series remote indicator, door switch control with in-use indication	B 5213 01051
XRM-8E2	NEMA L6-30R, 30 A / 250 V receptacle, MK2000CBM series digital remote indicator, door switch control with in-use indication	B 5213 00168

Ordering information, step 2: Backbox

Part number	Description	Ordering No.
B120804	Backbox, 12" x 8" x 4" (305 x 203 x 102 mm)	B 5213 00367



USA • Exton, PA • 800-356-4266 / 610-383-9200

Mexico • Tampa, FL • 813-240-2858

info@bender.org • www.bender.org

Canada • Mississauga, ON • 800-243-2438 / 905-602-9990

info@bender-ca.com • www.bender-ca.com

Latin America • Santiago de Chile • +56 2 2933 4211

info@bender-latinamerica.com • www.bender-latinamerica.com



Your local contact: